

LOAD BREAK SWITCHES 16 - 250 A

TECHNICAL DATA

Load break switches		16 A	25 A	40 A	63 A	80 A	125 A	160 A	250 A	
Rated insulation voltage	U_i (V)	690	690	690	690	690	690	690	690	
Rated thermal current	I_{th} (A)	25	40	63	80	100	160	200	250	
Rated thermal current	I_{the} (A)	25	40	63	80	100	160	200	250	
Rated operational current	I_e (A)									
	AC-21	400/415V	25	40	63	80	100	160	200	250
		500 V	25	40	63	80	100	160	200	-
		690 V	25	40	63	80	100	160	200	-
	AC-22	400/415V	16	25	40	63	80	125	160	250
		500 V	16	25	40	63	80	125	160	-
		600 V	16	25	40	63	80	125	160	-
	AC-23	400/415V	16	20	25	40	63	80	135	200
		500 V	16	20	25	32	40	80	* 125	-
		690 V	16	20	25	25	32	80	* 125	-
Rated operational power	(kW)									
	AC-23	230 V	4	5,5	7,5	11	15	30	37	55
		400/415V	7,5	11	15	22	30	37	75	90
		500 V	7,5	11	15	18,5	25	45	75	-
		690 V	11	15	22	22	30	55	90	-
Rated fused short circuit current										
Back-up fuse	(A)	63	63	63	80	80	160	160	250	
R.M.S. value	I_k (kA)	50	50	50	50	50	50	50	50	
Peak value	(kA)	5,4	6,6	7,2	8,3	8,7	13,7	15,0	21	
Rated short circuit making capacity	I_{cm} (kA)	5,4	6,6	7,2	8,3	8,7	13,7	15,0	21	
Rated short time withstand current	I_{ow} (kA)	0,9	1,0	1,1	1,6	1,7	2,8	3,0	6,0	
Rated breaking capacity	I_{cn} (A)									
	AC-23	400/415V	250	270	320	480	504	840	1080	1600
		500 V	160	250	320	380	504	840	1000	-
		690 V	130	160	200	260	320	840	1000	-
Electrical endurance (number of operations)		3000	3000	3000	3000	3000	2000	2000	2000	
Mechanical endurance (number of operations)		50000	50000	50000	50000	50000	16000	16000	16000	
Terminals	Cu (mm ²)	1,5 - 16	1,5 - 16	1,5 - 16	2,5 - 35	2,5 - 35	6 - 70	6 - 70	***8x25	
Max terminal torque	(Nm)	1,8	1,8	1,8	2,5	2,5	4,5	4,5	-	

* = AC-23B values
AC-23A = 105 A

*** = Bolt size

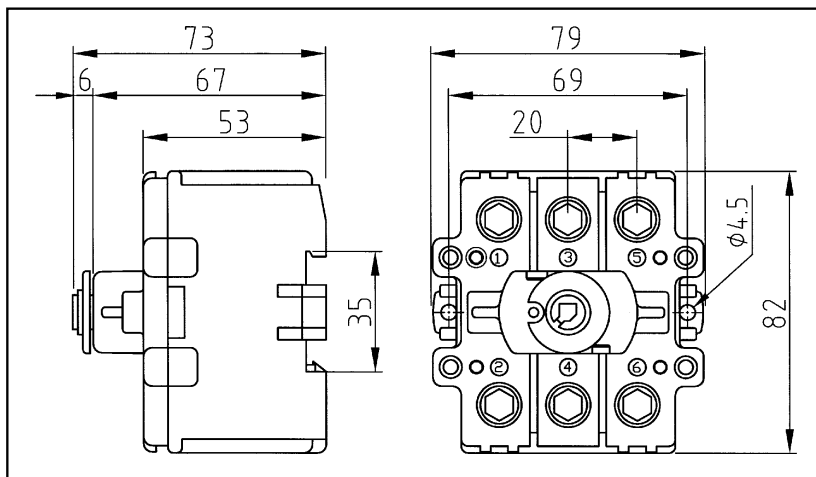
Data subject to change without notice.



LOAD BREAK SWITCHES 125 - 160 A

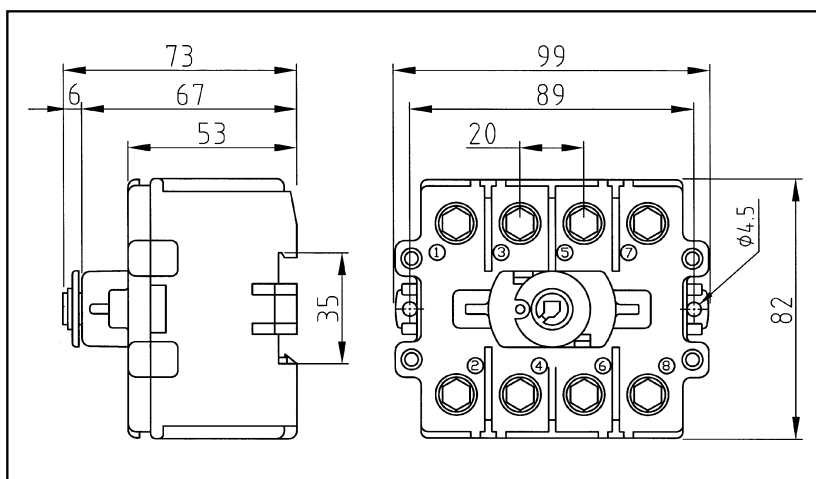
3- Pole rotary switches

AC-21	AC-22	Type	EAN
160A	125A	VKA 3125	6419410213506
200A	160A	VKA 3160	6419410214008



4-Pole rotary switches

AC-21	AC-22	Type	EAN
160A	125A	VKA 4125	6419410218501
200A	160A	VKA 4160	6419410219003



ACCESSORIES

Direct handles
K/VKA 3-4P
K/VKA 3-4P Y/R

EAN
6419410218709
6419410218808

Y/R = Yellow/red

Data subject to change without notice.

